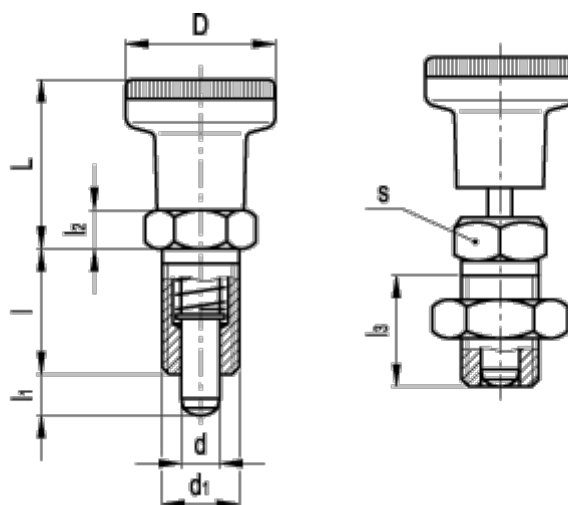


Article number: 2308051562

Description: E+G Index plunger
PMT.100-SST-10-M20x1.5-A

Measures



Code = PMT.100-10-M20x1,5-SST-A

D = 31

d = 10

d1 = M20x1.5

I = 33

L = 37

I1 = 10

I2 = 10

I3 = 30

Max. axial load (N) = 40

s = 22